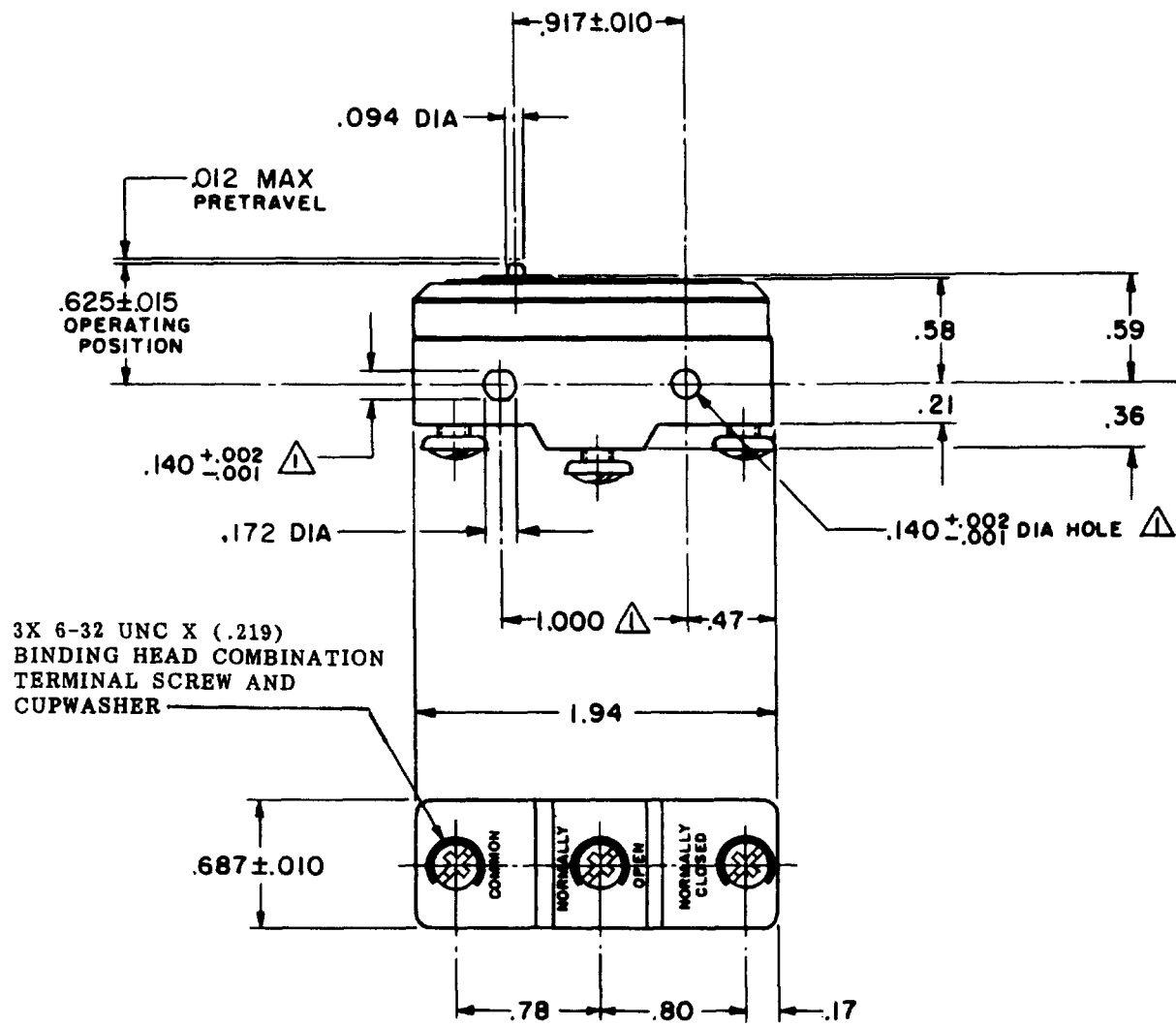





CATALOG LISTING
BZ-R88-A2
 PAGE 1 OF 1
 REPLACES
 RELEASE NO.
 CHECK
 REVISIONS
A CO15200
 RLD
 7 FEB 66
B CO-73287-J
 JAL
 22 NOV 93
C CO-77589
 JAL
 30 MAR 94
D 203222
 CSL
 5 JUN 01
 CHECK
 WAFEBGG
 LSD
 CHECK
 FEB 66
 RLD 7 FEB 66
 DRAWN
 RASTER
 FC-90378



3X 6-32 UNC X (.219)
 BINDING HEAD COMBINATION
 TERMINAL SCREW AND
 CUPWASHER

NOTE -
 ▲ - MOUNTING HOLES WILL ACCEPT PINS OR SCREWS
 OF .139 MAX DIA ON 1.000 ± .002 CENTERS

THIS DRAWING COVERS A PROPRIETARY ITEM AND IS THE PROPERTY OF MICRO SWITCH, A DIVISION OF HONEYWELL. THIS DRAWING IS NOT TO BE COPIED OR USED WITHOUT THE APPROVAL OF MICRO SWITCH.

CHARACTERISTICS	ELECTRICAL DATA	SCALE FULL
OPERATING FORCE ----- 9 OZ MAX	CONTACT ARRANGEMENT S P D T	DO NOT SCALE PRINT
RELEASE FORCE ----- 3 OZ MIN	L8 10A 125, 250 OR 480 VAC	UNLESS OTHERWISE NOTED DIMENSIONS ARE IN INCHES
DIFFERENTIAL TRAVEL ----- .0007 MAX	L288   	TOLERANCES ARE: ONE PLACE (.0) ±.030 TWO PLACE (.00) ±.015 THREE PLACE (.000) ±.005 ANGLES ±
OVERTRAVEL ----- .005 MIN		WEIGHT .060 LB



MICRO SWITCH

FREERPORT, ILLINOIS, U.S.A.
A DIVISION OF HONEYWELL

FED. MFG. CODE 91829

SWITCH-BASIC

CATALOG LISTING

BZ-R88-A2

BZ-R88-A2

M

DRAWING NUMBER

ISSUE

8*

5

REPLACES

RELEASE NO.

CHECK

CHECK

14 FEB 66

LSD

CHECK

7 FEB 66

DRAWN

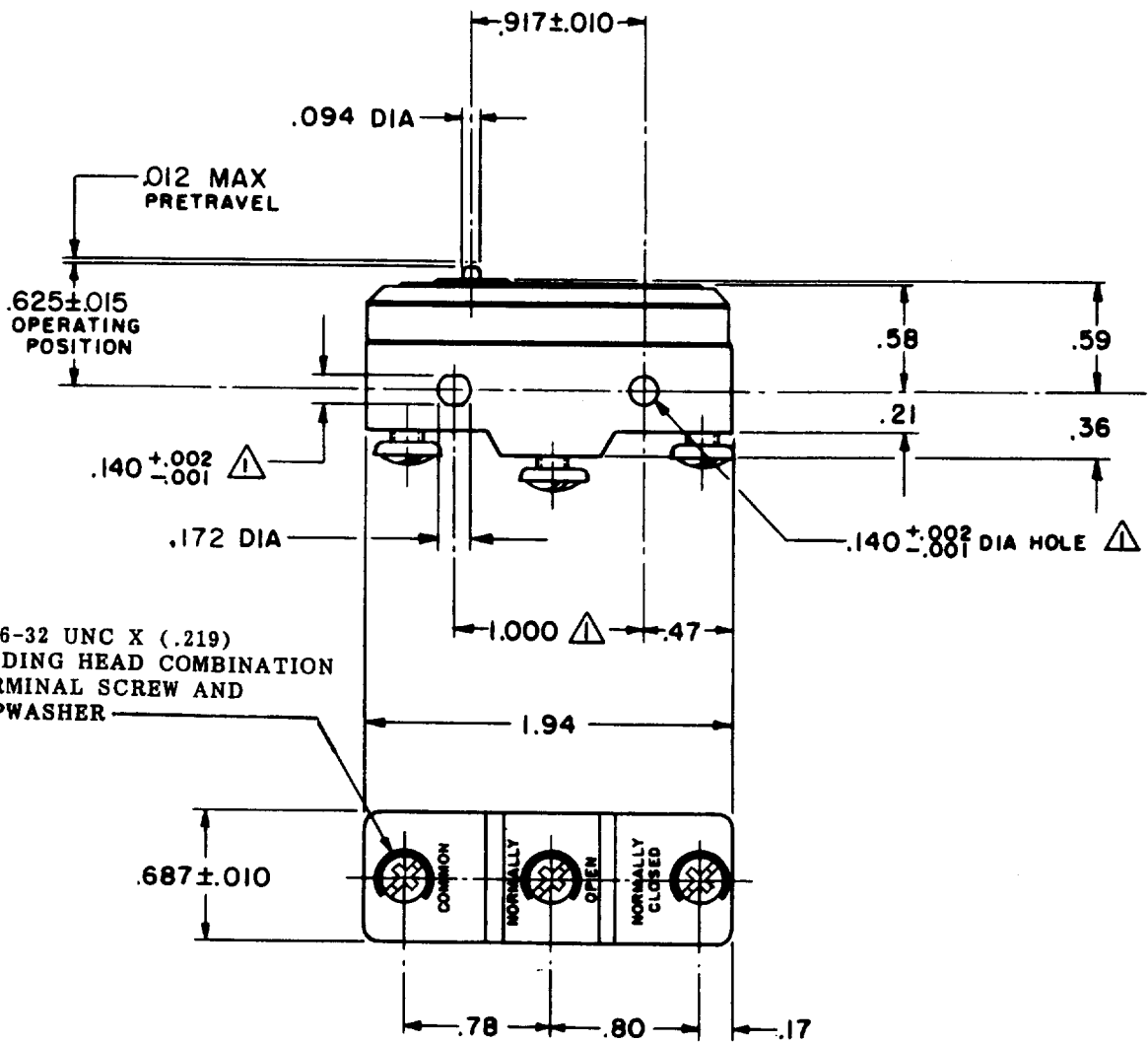
RD

7 FEB 66

REVISIONS

A	CO15200	RLD	7 FEB 66
B	CO-73287-J	JAL	22 NOV 93
C	CO-77589	JAL	30 MAR 94

FC-50378



NOTE -

△ - MOUNTING HOLES WILL ACCEPT PINS OR SCREWS OF .139 MAX DIA ON 1.000 ± .002 CENTERS

THIS DRAWING COVERS A PROPRIETARY ITEM AND IS THE PROPERTY OF MICRO SWITCH, A DIVISION OF HONEYWELL. THIS DRAWING IS NOT TO BE COPIED OR USED WITHOUT THE APPROVAL OF MICRO SWITCH.

CHARACTERISTICS

OPERATING FORCE ----- 9 OZ MAX
 RELEASE FORCE ----- 3 OZ MIN
 DIFFERENTIAL TRAVEL ----- .0007 MAX
 OVERTRAVEL ----- .005 MIN

ELECTRICAL DATA

CONTACT ARRANGEMENT
S P D T

UNDERWRITERS' LAB. INC. LISTED RATING
-LB- 10 A-125, 250 OR 480 VAC



SCALE FULL

DO NOT SCALE PRINT

UNLESS OTHERWISE NOTED
DIMENSIONS ARE IN INCHES

TOLERANCES ARE:

ONE PLACE	(.0)	±.030
TWO PLACE	(.00)	±.015
THREE PLACE	(.000)	±.005
ANGLES		±

WEIGHT .060 LB